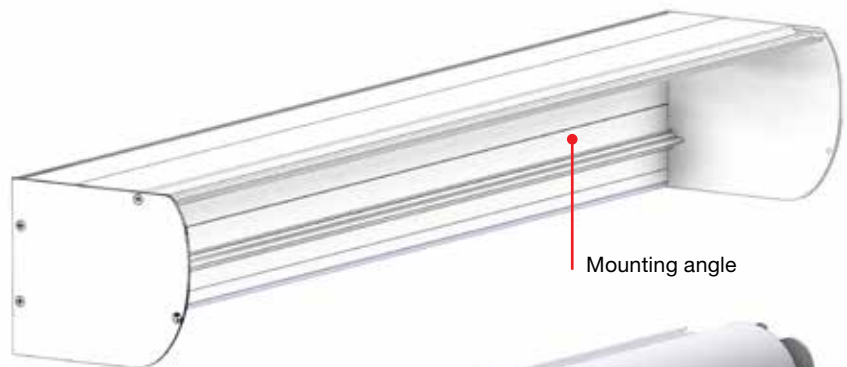


# MagnaShade®

## Small Profile. Big Solution.

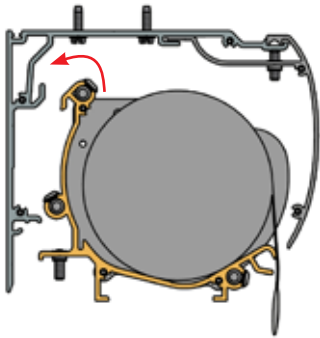
### Key features:

- A wall or ceiling mounted system centres the shadecloth tube at all times. The configuration minimises tube deflection and maximises shadecloth flatness.
- The unique shallow profile – high and wide – can be up to approximately 12m (40 ft.) wide by 6.1m (20 ft.) high.

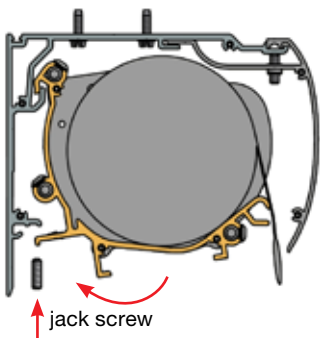


### Simplified installation

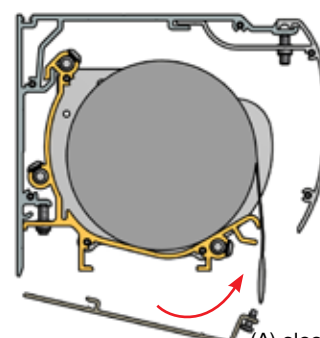
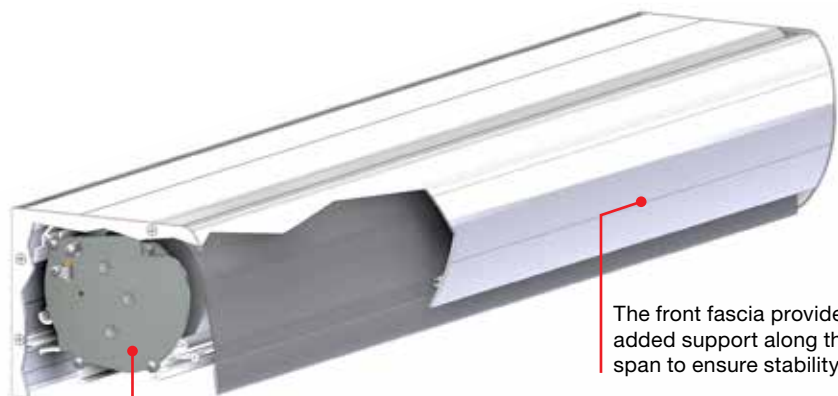
1. The mounting angle is attached to a ceiling or wall.



2. The cradle is hooked onto the top inside of the mounting angle.



3. The cradle is lowered into place and secured along the span with jack screws.



4. The closure mount (A) is hooked into the bottom of the cradle and then secured along the span with screws.

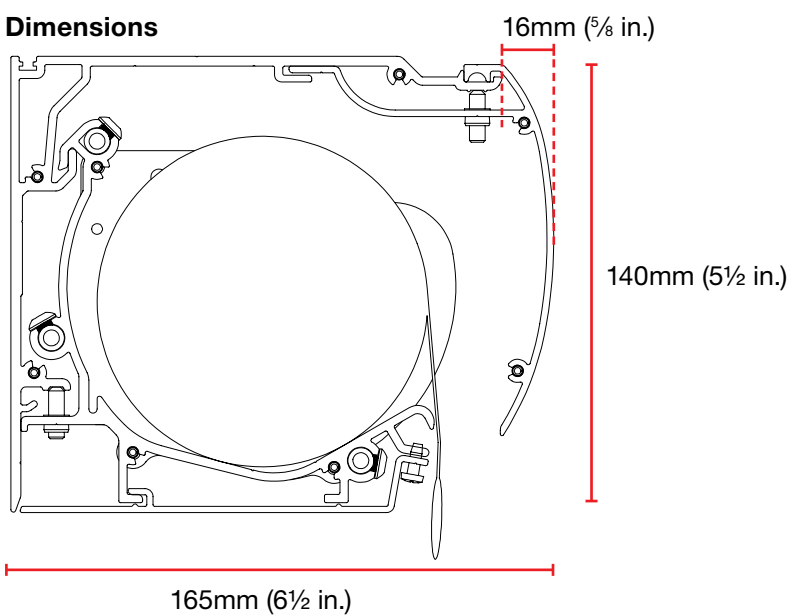
# MagnaShade®

**Small Profile. Big Solution.**



Shadecloth options	Max. width	Max. height
0800 Blackout Series	12.2m (40 ft.)	6.1m (20 ft.)
1300 Series	12.2m (40 ft.)	6.1m (20 ft.)
1500 Series	12.2m (40 ft.)	6.1m (20 ft.)

## Dimensions



MechoSystems  
Unit 10, Holdom Avenue  
Bletchley, Milton Keynes MK1 1QU

T: +44 (0) 1908 361310  
F: +44 (0) 1908 270740  
E: [infoUK@mechosystems.com](mailto:infoUK@mechosystems.com)  
W: [mechosystems.co.uk](http://mechosystems.co.uk)