

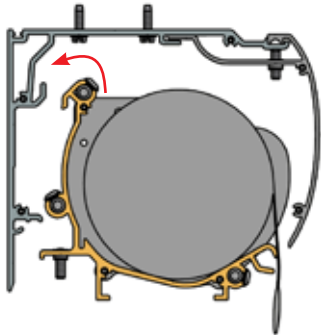
MagnaShade®

Small Profile. Big Solution.

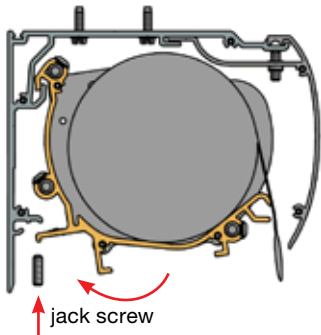
Key features:

- A floating mounting system centres the shadecloth tube at all times. The configuration minimises tube deflection and maximises shadecloth flatness.
- The unique shallow profile – high and wide – can be up to approximately 12m (40 ft.) wide by 6.1m (20 ft.) high.

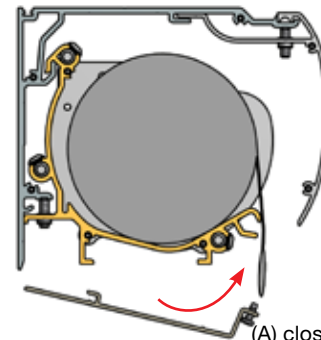
Simplified installation



1. The prefabricated cradle is hooked onto the top inside of the cassette.

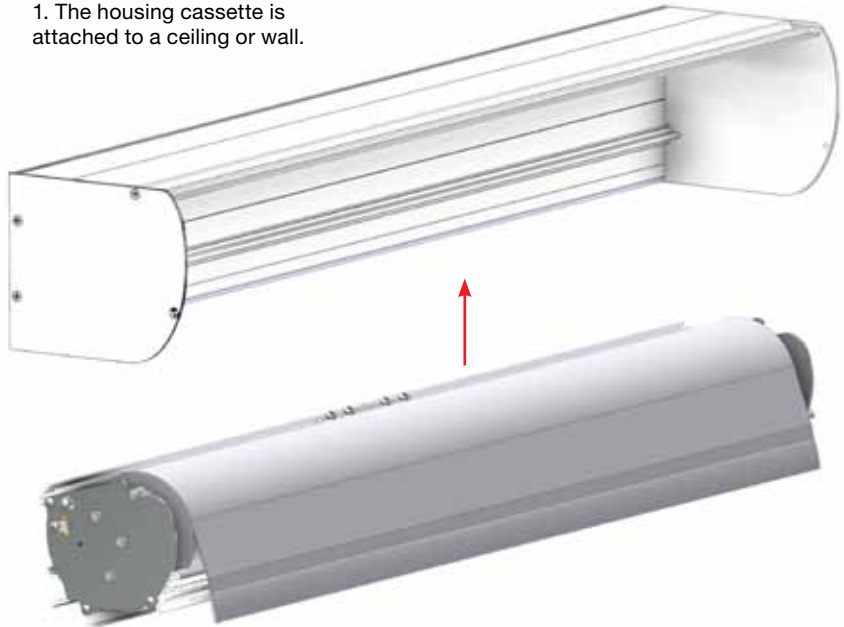


2. Then lower the cradle into place and secure it along the span with jack screws.



3. Hook (A) the closure mount into the bottom backside of the cradle, and then secure along the span with screws.

1. The housing cassette is attached to a ceiling or wall.



B. The cradle assembly eliminates field assembly. Drop the cradle inside the pocket.



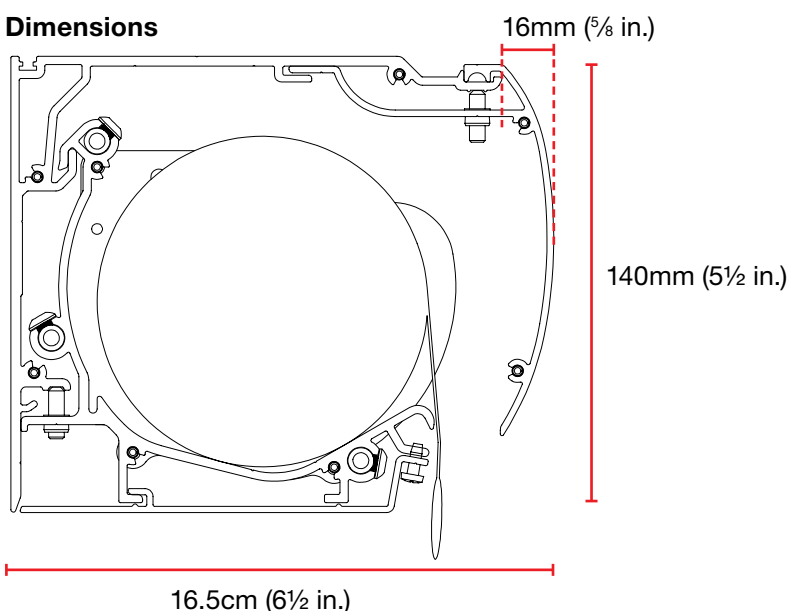
MagnaShade®

Small Profile. Big Solution.



Shadecloth options	Max. width	Max. height
8100 Blackout Series	12.2m (40 ft.)	6.1m (20 ft.)
1300 Series	12.2m (40 ft.)	6.1m (20 ft.)
6000 Series	12.2m (40 ft.)	6.1m (20 ft.)

Dimensions



MechoSystems
Unit 10, Holdom Avenue
Bletchley, Milton Keynes MK1 1QU

T: +44 (0) 1908 361310
F: +44 (0) 1908 270740
E: infoUK@mechosystems.com
W: mechosystems.co.uk