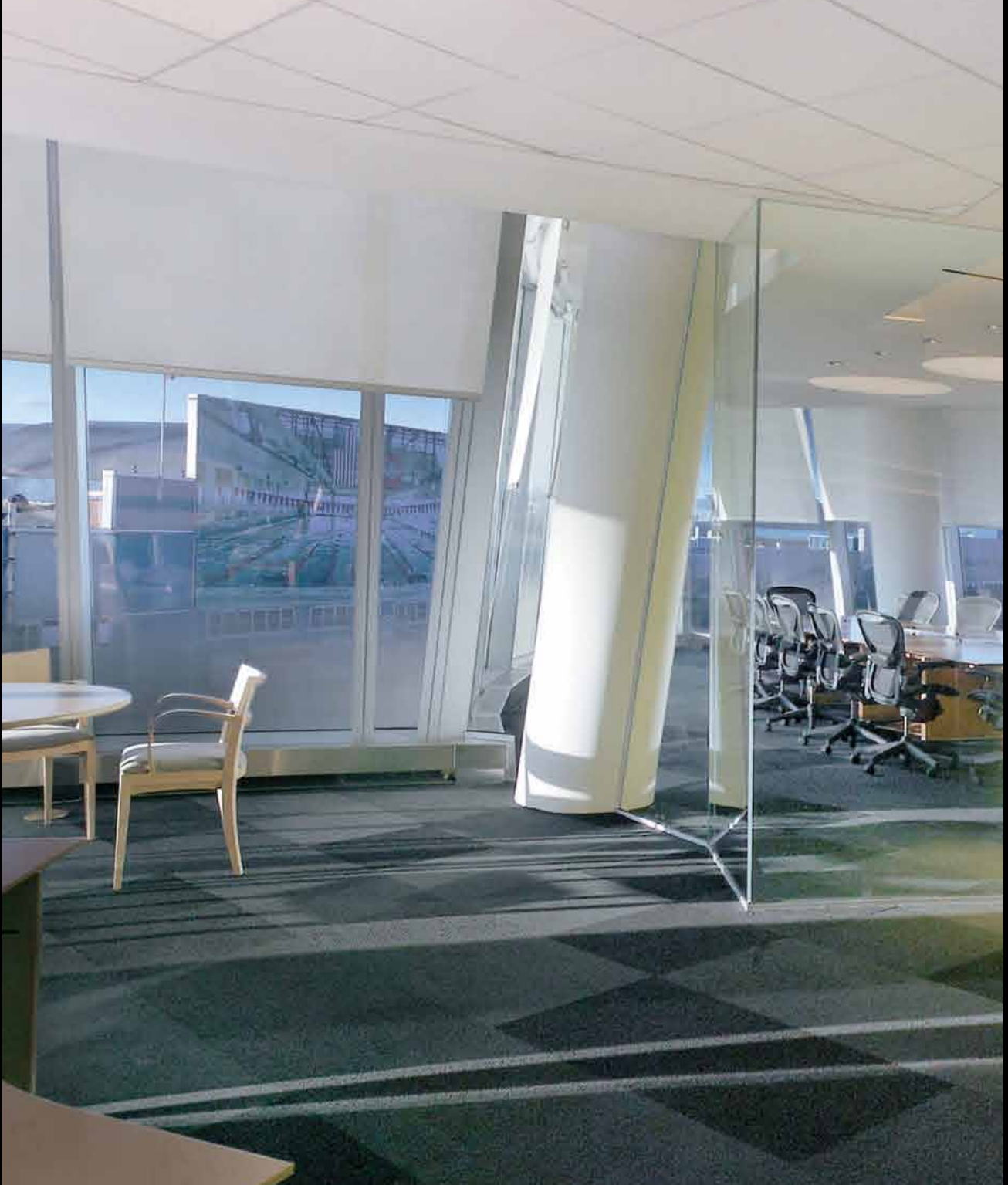


IQ/485[®] Network Interface

Integration of Shades, Controls, and Accessories



IQ/485[®] Network Interface (NI)

The new IQ/485 Network Interface (NI) integrates various window-covering devices with a variety of switches, accessories, or 3rd-party control systems. It also provides a hub that enables inputs for RS-232-based systems, dry-contact devices, and various accessories.

In addition, there are outputs that control momentary dry-contact devices, including ElectroShades[®] and WhisperTrac[®] motors.

The bus connections extend control throughout the IQ/485 Network to other IQ/485 network accessories and IQ/485-equipped controllers.

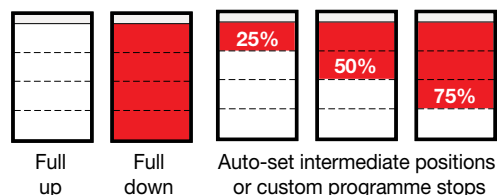
A

Five dry-contact output ports

WindowManagement[®] controls

- Control of momentary dry-contact window-treatment motors or accessories via the IQ/485 NI, including WhisperTrac draperies and motorised ElectroShades (IQ/MLC[®]s and intelligent motors.)
- Support of multi-level controls (independent, group, master, etc.) without the complexity of hardwiring through the IQ/485 software-control addresses.
- Eight addresses for each of the five input and output ports.
- Daisy chains up to two IQ/MLCs for each output port.
- Each output port supports the positioning of window coverings with up to five alignment points using the IQ/MLC control logic.

Figure 1. Intermediate alignment points



B

Three automation and remote control ports

Multi-zone window control

- Integration of the entire shading system through the RS-232 protocol for a single point of control to a 3rd-party control system.
- IR port to promote wireless IR remote control.
- Automation of the shade control via photo-sensors and schedulers/timers, remote control via RF (RTS) through the accessories port.
- RS-232 port provides two-way communication for shade control along with feedback of the shade position and its status.

C

IQ/485 bus ports

Robust communication network

- Reliable two-way communication over the IQ/485 Network.
- Capable of over 65,000 control addresses from a single network.
- Bus 1 also provides DC power for various IQ/485 bus accessories like IR eye and the IQ/485 six-group keypad.
- Directly compatible with other IQ/485 products such as the IQ/485 SMC and the six-group keypad.

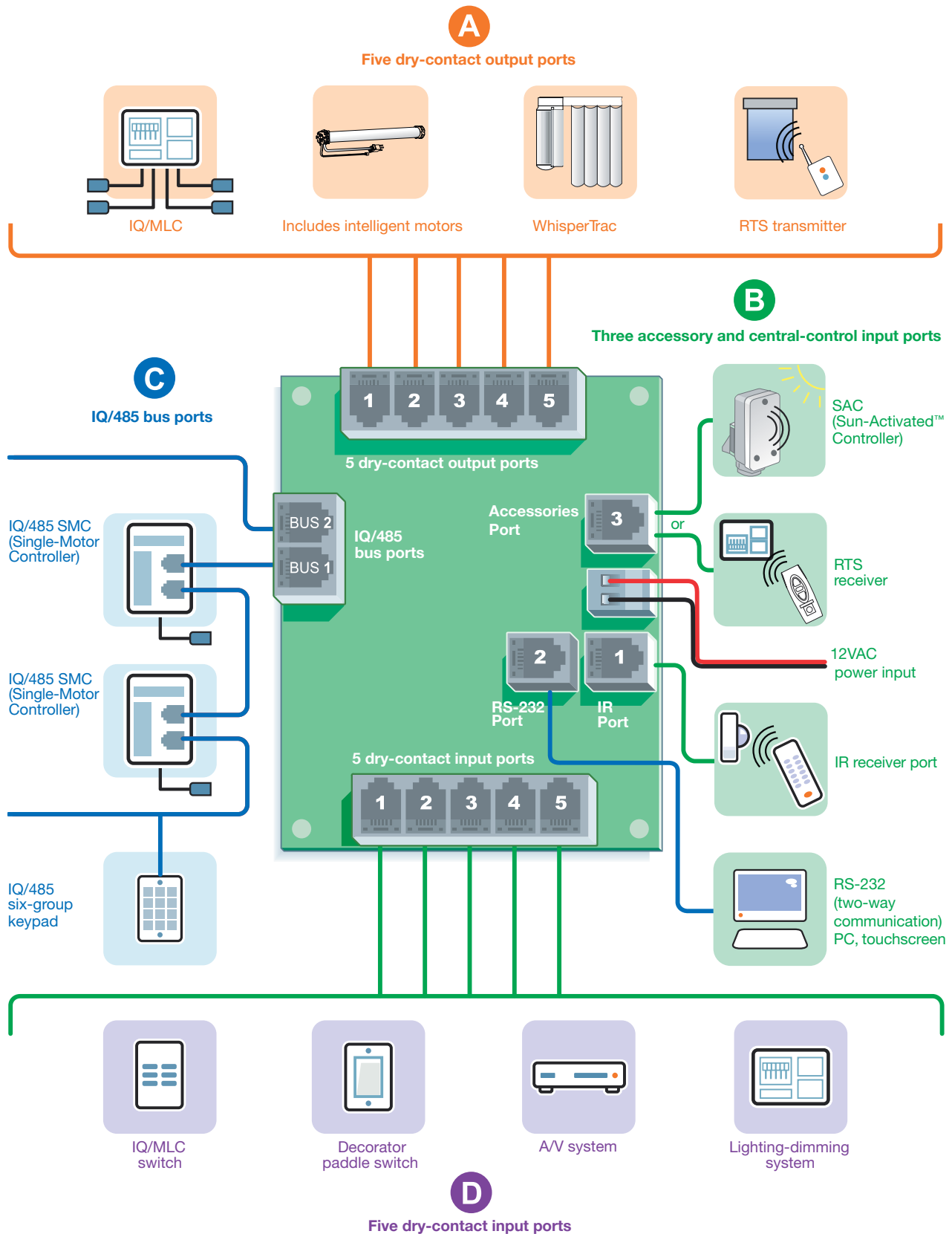
D

Five dry-contact input ports

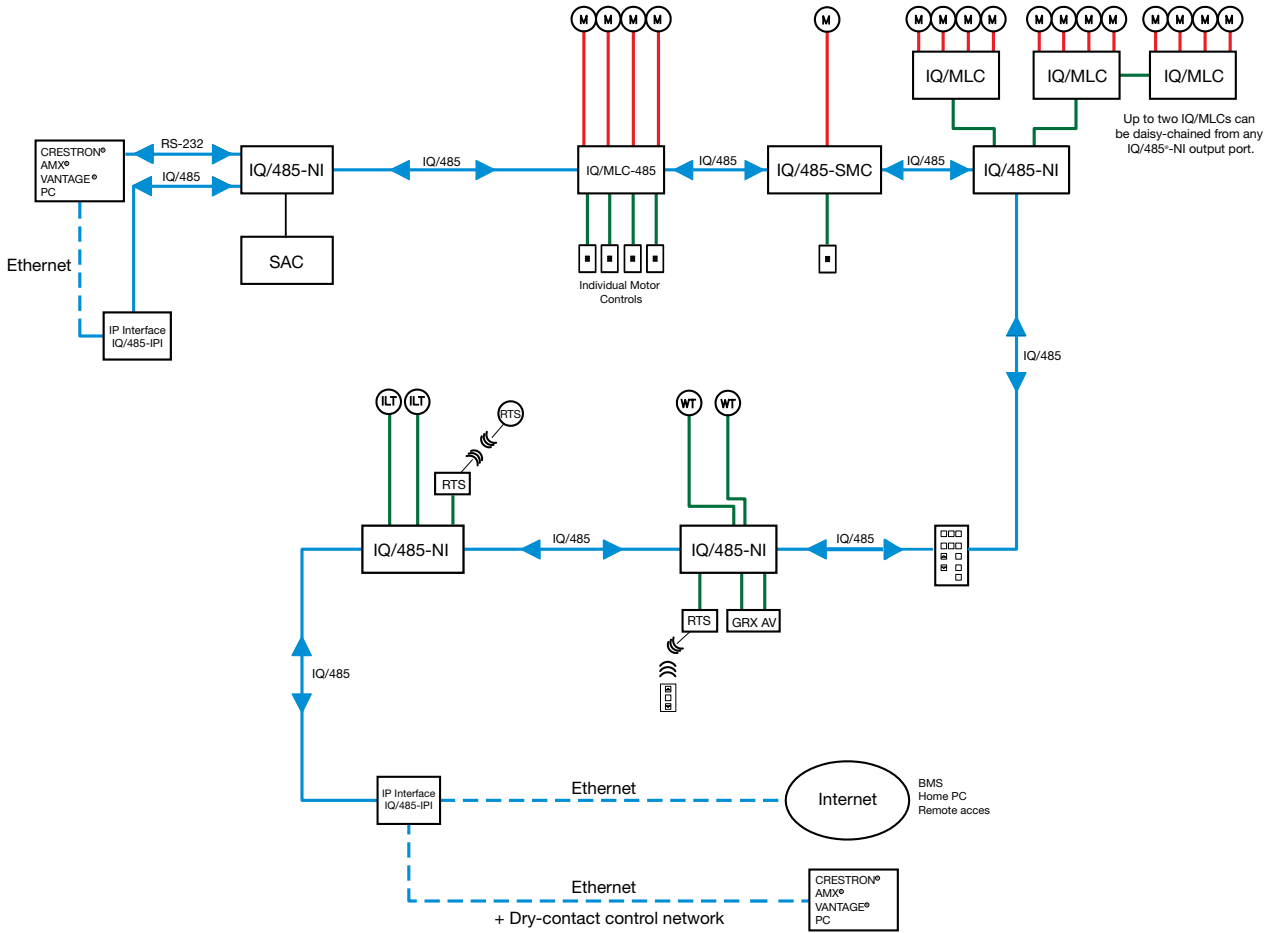
Switch controller

- Economical shade control through dry-contact control.
- Compatible with IQ/MLC switches.
 - Operates shades up to five alignment points (see Figure 1).
- Compatible with a variety of accessories, including RTS wireless control and various timer/scheduler controls.
- Seamless integration with 3rd-party control systems, including Crestron[®], Vantage/Legrand[®], Lutron[®], and other systems via contact closures.
- Programmable options for momentary and maintained inputs.
- Compatible with 3rd-party systems utilising single-button operation of window treatments.
- Ability to control any motor connected to the IQ/485 NI through any input port.

IQ/485[®] Network Interface



IQ/485[®] Control System Network



Key:

- Low-voltage dry contact
- IQ/485 Network
- Line voltage (230VAC)
- RTS Somfy[®] radio motor
- RTS Somfy radio transmitter
- ILT Somfy encoded motor
- WT WhisperTrac motor
- M Motor

